



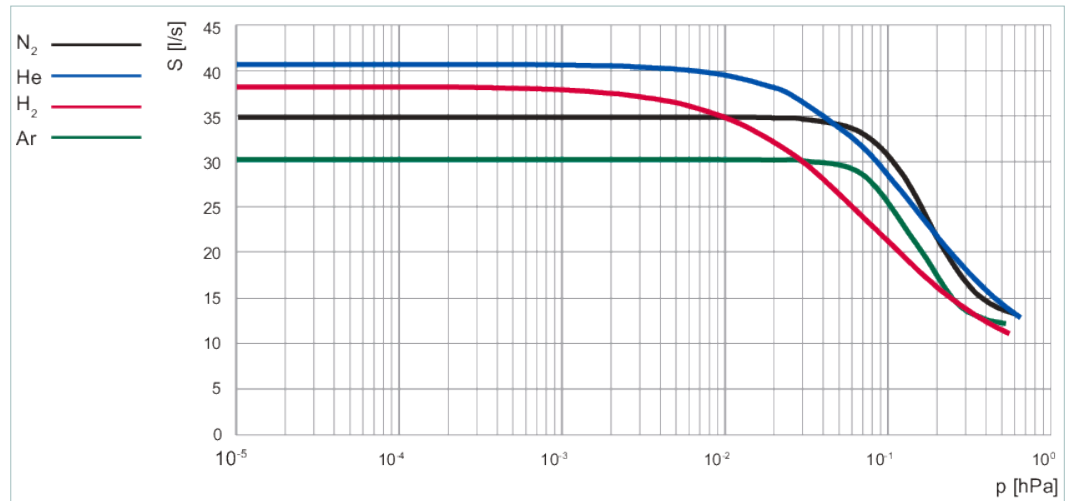
HiPace[®] 80 Neo with TC 80, DN 40 ISO-KF



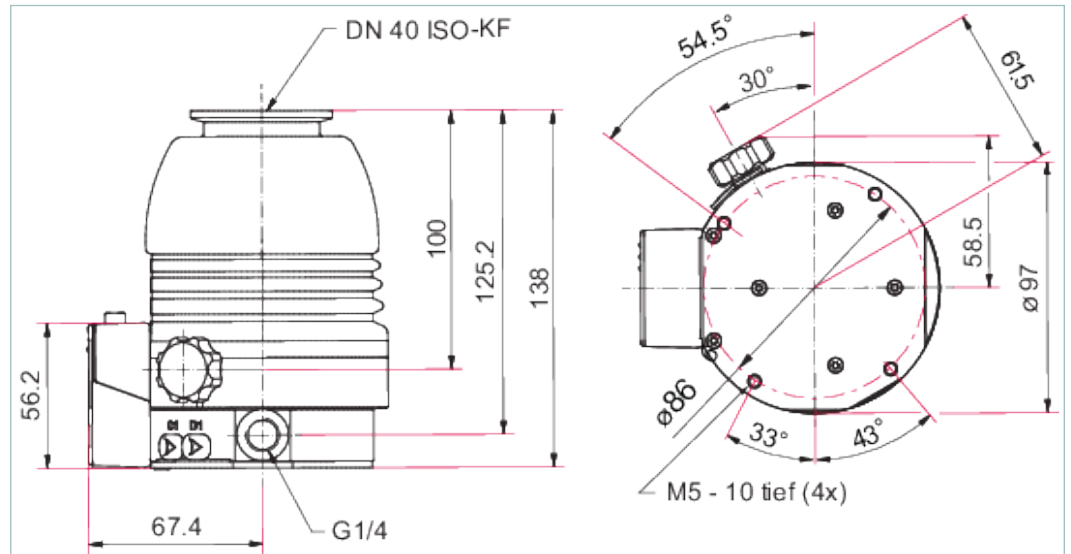
Similar Image

HiPace® 80 Neo with TC 80, DN 40 ISO-KF

- Small yet powerful turbopump with a pumping speed of up to 35 l/s for N₂
- Integrated TC 80 drive electronics
- For installation in any orientation
- Ideal for dependable systems integration
- Extensive accessories expand the range of applications



Dimensions



Technical Data	HiPace® 80 Neo with TC 80, DN 40 ISO-KF
Bearing	Hybrid
Compression ratio for Ar	$1 \cdot 10^{11}$
Compression ratio for H ₂	$1.4 \cdot 10^5$
Compression ratio for He	$1.3 \cdot 10^7$
Compression ratio for N ₂	$1 \cdot 10^{11}$
Connection flange (in)	DN 40 ISO-KF
Connection flange (out)	G 1/4"
Cooling method	Convection
Cooling method, optional	Air Water

Technical Data	HiPace® 80 Neo with TC 80, DN 40 ISO-KF
Cooling water flow	75 l/h
Cooling water flow, max.	75 l/h
Cooling water flow, min.	75 l/h
Cooling water temperature	5-25 °C 41-77 °F 278-298 K
Current, max.	5,6 A
Electronic drive unit	with TC 80
Final pressure without gas ballast	1 · 10 ⁻⁷ hPa 7.5 · 10 ⁻⁸ Torr 1 · 10 ⁻⁷ mbar
Fore-vacuum max. for N ₂	22 hPa 16.5 Torr 22 mbar
Gas throughput at final rotation speed for Ar	0.54 hPa·l/s
Gas throughput at final rotation speed for H ₂	15.3 hPa·l/s
Gas throughput at final rotation speed for He	2.7 hPa·l/s
Gas throughput at final rotation speed for N ₂	1.3 hPa·l/s
Gas throughput at full rotational speed, short term, for Ar	2 hPa·l/s
Gas throughput at full rotational speed, short term, for H ₂	30 hPa·l/s
Gas throughput at full rotational speed, short term, for He	8 hPa·l/s
Gas throughput at full rotational speed, short term, for N ₂	4 hPa·l/s
I/O interfaces	RS-485, Remote
Mounting orientation	Arbitrary
Permissible axial magnetic field max.	23 mT
Permissible radial magnetic field max.	3.7 mT
Power consumption max.	110 W
Pumping speed for Ar	30 l/s
Pumping speed for H ₂	38 l/s
Pumping speed for He	41 l/s
Pumping speed for N ₂	35 l/s
Rotation speed ± 2 %	90,000 rpm 90,000 min ⁻¹
Rotation speed variable	50 – 100 %
Run-up time	75 s
Sound pressure level	≤48 dB(A)
Venting connection	G 1/8"
Weight	1.7 kg 3.75 lb

Order number	
HiPace® 80 Neo	PM P080 266 10

Accessories	
Adapters (electrical) RS-232/485	
Y-connector M12 for RS-485	P 4723 010
USB RS-485 converter	PM 061 207 -T
Coupling M12 for RS-485	PM 061 270 -X
Terminal resistor for RS-485	PT 348 105 -T
Power separator for RS-485	PT 348 132 -T
Cables Backing pump control cables	
HiPace – ACP connection cable	PM 071 142 -X
Cables Connection cables	
Connection cable, angled, with RS-485 interface and two accessory ports from TC 80/110/120 to power supply pack, 3 m	PM 071 656 -T
Connection cable, angled, with RS-485 interface and two accessory ports from TC 80/110/120 to power supply pack, 1 m	PM 071 655 -T
Connection cable, angled, with RS-485 interface and two accessory ports from TC 80/110/120 to power supply pack, 5 m	PM 071 657 -T
Connection cable, angled, with RS-485 interface and two accessory ports from TC 80/110/120 to power supply pack, 10 m	PM 071 658 -T
Cables Extension cables	
Extension cable M8 on M8	PM 061 783 -T
Cables Mains cables / Power cords	
Mains cable 230 V AC, CEE 7/7 to C13, 3 m	P 4564 309 ZA
Mains cable 115 V AC, NEMA 5-15 to C13, 3 m	P 4564 309 ZE
Mains cable 208 V AC, NEMA 6-15 to C13, 3 m	P 4564 309 ZF
Cables RS-485 Interface cables	
Interface cable, M12 m straight/M12 m straight, 3 m	PM 061 283 -T
Interface cable, M12 m straight/ M12 m angled, 0.7 m	PM 061 791 -T
Control Devices Backing pump	
Relay box for backing pumps, 1-phase 20 A for TC 110/120 and TCP 350, plug M8	PM 061 373 -T
Relay box, shielded, for backing pumps, 1-phase 7A for TC 110/120 and TCP 350, plug M8	PM 071 282 -X
Control Devices Power supplies and control displays	
HPU 001, Handheld Programming Unit	PM 051 510 -T
Accessories package for HPU 001/PC	PM 061 005 -T
TPS 180, power supply pack for wall/standard rail installation	PM 061 341 -T
TPS 181, power supply pack 19" plug-in unit 3HU	PM 061 345 -T
DCU 002, Display Control Unit	PM 061 348 AT
Front panel kit for TPS 181	PM 061 394 -T
DCU 180, display control unit incl. power supply pack 19"	PM C01 821
Cooling Air cooling	
Air cooling for HiPace 60 P, HiPace 80 and SplitFlow 50/80 with TC 110/120	PM Z01 300
Air cooling for HiPace 60/80, SplitFlow 50/80, 230 V	PM Z01 343
Air cooling for HiPace 60 P and 80, SplitFlow 50/80, 115 V	PM Z01 344

Accessories	
Monitoring Pressure Sensors	
RPT 010, digital Piezo/Pirani sensor	PT R71 550
IKT 010, digital cold cathode sensor, low current	PT R72 550
IKT 011, digital cold cathode sensor, high current	PT R73 550
Mounting DN ISO-KF, mounting kits	
Mounting kit for HiPace 60/80, DN 40 ISO-KF, including centering ring and clamping ring	PM 016 625 -T
Mounting kit for HiPace 60/80, DN 40 ISO-KF, splinter shield, clamping ring	PM 016 626-T
Mounting DN ISO-KF, sealings, splinter shields, protection screens	
Centering ring, FPM/aluminum, DN 40 ISO-KF	PF 110 140 -T
Protection DN ISO-KF, sealings, splinter shields, protection screens	
Centering ring with integrated mesh screen, DN 40 ISO-KF	PF 113 240 -T
Centering ring with integrated splinter shield, DN 40 ISO-KF	PM 006 375 -X
Valves Fore-vacuum safety valves	
TVV 001, fore-vacuum safety valve, 230 V AC	PM Z01 205
TVV 001, fore-vacuum safety valve, 115 V AC	PM Z01 206
Venting Power failure venting units (normally open)	
Shielded power failure venting unit, 24 V DC, G 1/8", for connection to TC 110/120	PM Z01 330
Venting Venting accessories	
Flange with Pipe Thread, DN 16 ISO-KF, G 1/8"	PM 016 780 -T
Push-in fitting for 6 mm tube, G 1/8"	PM 016 781 -T
Push-in fitting for 8 mm tube, G 1/8"	PM 016 782 -T
Hose nozzle for 9 mm hose, G 1/8"	PM 016 783 -T
Banjo fitting	PM 016 787 -T
Banjo fitting, small	PM 143 877 -T
TTV 001, Drier for Venting Turbopumps	PM Z00 121
Venting Venting valves (normally closed)	
Venting valve, shielded, 24 V DC, G 1/8", for connection to TC 110/120	PM Z01 290
Venting valve, 24 V DC, G 1/8" without cable	PM Z01 293
Vibration Reduction Vibration dampers	
Vibration damper for HiPace 60/80, DN 40 ISO-KF	PM 006 799 -X

VACUUM SOLUTIONS FROM A SINGLE SOURCE

Pfeiffer Vacuum stands for innovative and custom vacuum solutions worldwide, technological perfection, competent advice and reliable service.

COMPLETE RANGE OF PRODUCTS

From a single component to complex systems:

We are the only supplier of vacuum technology that provides a complete product portfolio.

COMPETENCE IN THEORY AND PRACTICE

Benefit from our know-how and our portfolio of training opportunities!

We support you with your plant layout and provide first-class on-site service worldwide.

Are you looking for a
perfect vacuum solution?
Please contact us:

Pfeiffer Vacuum GmbH
Headquarters · Germany
T +49 6441 802-0
info@pfeiffer-vacuum.de

www.pfeiffer-vacuum.com

All data subject to change without prior notice.

PFEIFFER  **VACUUM**