



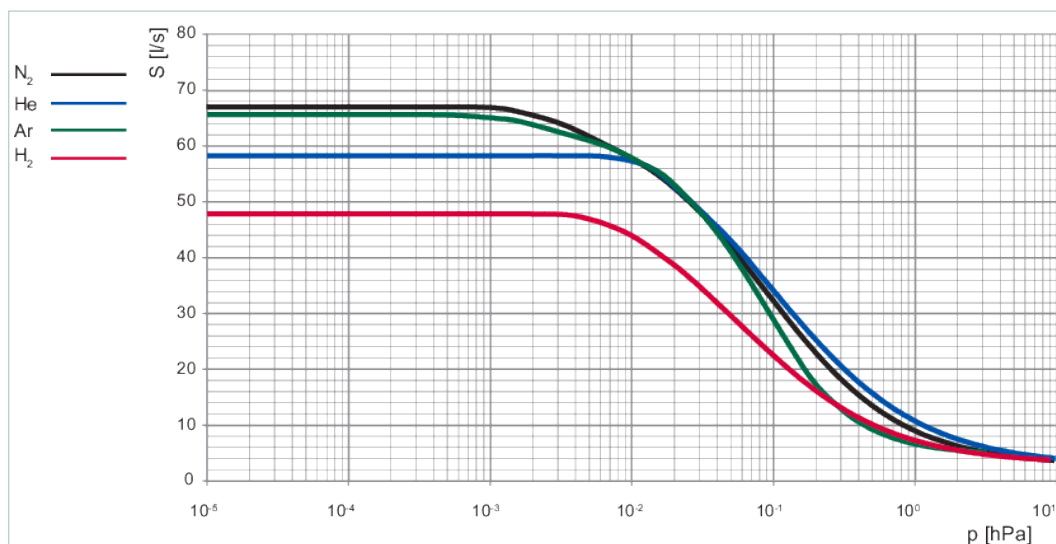
# HiPace<sup>®</sup> 80 Neo with TC 80, DN 63 ISO-K



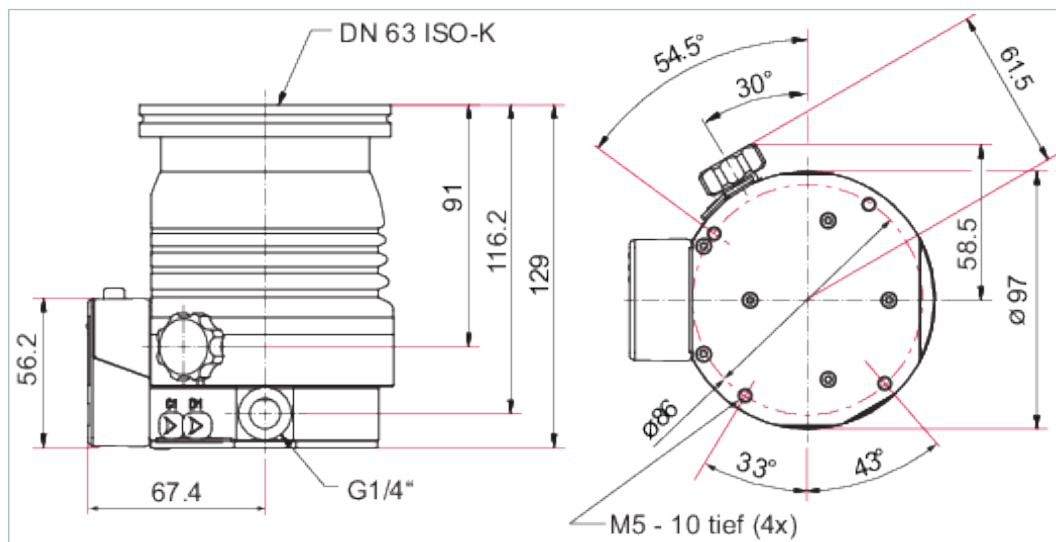
Similar Image

## HiPace® 80 Neo with TC 80, DN 63 ISO-K

- Small yet powerful turbopump with a pumping speed of up to 67 l/s for N<sub>2</sub>
- Integrated TC 80 drive electronics
- For installation in any orientation
- Ideal for dependable systems integration
- Extensive accessories expand the range of applications



### Dimensions



Technical Data	HiPace® 80 Neo with TC 80, DN 63 ISO-K
Bearing	Hybrid
Compression ratio for Ar	$1 \cdot 10^{11}$
Compression ratio for H <sub>2</sub>	$1.4 \cdot 10^5$
Compression ratio for He	$1.3 \cdot 10^7$
Compression ratio for N <sub>2</sub>	$1 \cdot 10^{11}$
Connection flange (in)	DN 63 ISO-K
Connection flange (out)	G 1/4"
Cooling method	Convection

Technical Data	HiPace® 80 Neo with TC 80, DN 63 ISO-K
Cooling method, optional	Air Water
Cooling water flow	75 l/h
Cooling water flow, max.	75 l/h
Cooling water flow, min.	75 l/h
Cooling water temperature	5-25 °C   41-77 °F   278-298 K
Current, max.	5,6 A
Electronic drive unit	with TC 80
Final pressure without gas ballast	1 · 10 <sup>-7</sup> hPa   7.5 · 10 <sup>-8</sup> Torr   1 · 10 <sup>-7</sup> mbar
Fore-vacuum max. for N <sub>2</sub>	22 hPa   16.5 Torr   22 mbar
Gas throughput at final rotation speed for Ar	0.54 hPa·l/s
Gas throughput at final rotation speed for H <sub>2</sub>	15.3 hPa·l/s
Gas throughput at final rotation speed for He	2.7 hPa·l/s
Gas throughput at final rotation speed for N <sub>2</sub>	1.3 hPa·l/s
Gas throughput at full rotational speed, short term, for Ar	2 hPa·l/s
Gas throughput at full rotational speed, short term, for H <sub>2</sub>	30 hPa·l/s
Gas throughput at full rotational speed, short term, for He	8 hPa·l/s
Gas throughput at full rotational speed, short term, for N <sub>2</sub>	4 hPa·l/s
I/O interfaces	RS-485, Remote
Mounting orientation	Arbitrary
Permissible axial magnetic field max.	23 mT
Permissible radial magnetic field max.	3.7 mT
Power consumption max.	110 W
Pumping speed for Ar	66 l/s
Pumping speed for H <sub>2</sub>	48 l/s
Pumping speed for He	58 l/s
Pumping speed for N <sub>2</sub>	67 l/s
Rotation speed ± 2 %	90,000 rpm   90,000 min <sup>-1</sup>
Rotation speed variable	50 – 100 %
Run-up time	75 s
Sound pressure level	≤48 dB(A)
Venting connection	G 1/8"
Weight	1.7 kg   3.75 lb

Order number	
HiPace® 80 Neo	PM P080 306 10

<b>Accessories</b>	
<b>Adapters (electrical) RS-232/485</b>	
Y-connector M12 for RS-485	P 4723 010
USB RS-485 converter	PM 061 207 -T
Coupling M12 for RS-485	PM 061 270 -X
Terminal resistor for RS-485	PT 348 105 -T
Power separator for RS-485	PT 348 132 -T
<b>Cables Backing pump control cables</b>	
HiPace – ACP connection cable	PM 071 142 -X
<b>Cables Connection cables</b>	
Connection cable, angled, with RS-485 interface and two accessory ports from TC 80/110/120 to power supply pack, 3 m	PM 071 656 -T
Connection cable, angled, with RS-485 interface and two accessory ports from TC 80/110/120 to power supply pack, 1 m	PM 071 655 -T
Connection cable, angled, with RS-485 interface and two accessory ports from TC 80/110/120 to power supply pack, 5 m	PM 071 657 -T
Connection cable, angled, with RS-485 interface and two accessory ports from TC 80/110/120 to power supply pack, 10 m	PM 071 658 -T
<b>Cables Extension cables</b>	
Extension cable M8 on M8	PM 061 783 -T
<b>Cables Mains cables / Power cords</b>	
Mains cable 230 V AC, CEE 7/7 to C13, 3 m	P 4564 309 ZA
Mains cable 115 V AC, NEMA 5-15 to C13, 3 m	P 4564 309 ZE
Mains cable 208 V AC, NEMA 6-15 to C13, 3 m	P 4564 309 ZF
<b>Cables RS-485 Interface cables</b>	
Interface cable, M12 m straight/M12 m straight, 3 m	PM 061 283 -T
Interface cable, M12 m straight/ M12 m angled, 0.7 m	PM 061 791 -T
<b>Control Devices Backing pump</b>	
Relay box for backing pumps, 1-phase 20 A for TC 110/120 and TCP 350, plug M8	PM 061 373 -T
Relay box, shielded, for backing pumps, 1-phase 7A for TC 110/120 and TCP 350, plug M8	PM 071 282 -X
<b>Control Devices Power supplies and control displays</b>	
HPU 001, Handheld Programming Unit	PM 051 510 -T
Accessories package for HPU 001/PC	PM 061 005 -T
TPS 180, power supply pack for wall/standard rail installation	PM 061 341 -T
TPS 181, power supply pack 19" plug-in unit 3HU	PM 061 345 -T
DCU 002, Display Control Unit	PM 061 348 AT
Front panel kit for TPS 181	PM 061 394 -T
DCU 180, display control unit incl. power supply pack 19"	PM C01 821
<b>Cooling Air cooling</b>	
Air cooling for HiPace 60 P, HiPace 80 and SplitFlow 50/80 with TC 110/120	PM Z01 300
Air cooling for HiPace 60/80, SplitFlow 50/80, 230 V	PM Z01 343
Air cooling for HiPace 60 P and 80, SplitFlow 50/80, 115 V	PM Z01 344
<b>Cooling Water cooling</b>	
Water cooling for HiPace 30   HiPace 80 mini with push-in fitting, 8 mm	PM 016 847 -T

Accessories	
<b>Monitoring Pressure Sensors</b>	
RPT 010, digital Piezo/Pirani sensor	PT R71 550
IKT 010, digital cold cathode sensor, low current	PT R72 550
IKT 011, digital cold cathode sensor, high current	PT R73 550
<b>Mounting DN ISO-K, Mounting kits, bracket screws</b>	
Mounting kit for HiPace 60/80, DN 63 ISO-K, including coated centering ring and bracket screws	PM 016 360 -T
Mounting kit for HiPace 60/80, DN 63 ISO-K, including coated centering ring, splinter shield and bracket screws	PM 016 361 -T
Mounting kit for HiPace 60/80, DN 63 ISO-K, including coated centering ring, protection screen and bracket screws	PM 016 362 -T
<b>Mounting DN ISO-K, Mounting kits, claws</b>	
Mounting kit for HiPace 60/80, DN 63 ISO-K, including coated centering ring and claws	PM 016 510 -T
Mounting kit for HiPace 60/80, DN 63 ISO-K, including coated centering ring, splinter and claw grips	PM 016 511 -T
Mounting kit for HiPace 60/80, DN 63 ISO-K, including coated centering ring with integrated protection screen and claw grips	PM 016 512 -T
<b>Mounting DN ISO-K/-F, sealings</b>	
Centering ring with multifunction coating, DN 63 ISO-K/-F	PM 016 206 -U
<b>Mounting DN ISO-K/-F Mounting kits</b>	
Mounting kit for DN 63 ISO-K to ISO-F, with collar flange, coated centering ring, hexagon bolts	PM 016 930 -T
Mounting kit for DN 63 ISO-K to ISO-F, with collar flange, coated centering ring with splinter shield, hexagon bolts	PM 016 931-T
Mounting kit for DN 63 ISO-K to ISO-F, with collar flange, coated centering ring with protection screen, hexagon bolts	PM 016 932 -T
Mounting kit for DN 63 ISO-K to ISO-F, with collar flange, coated centering ring, stud screws	PM 016 935 -T
Mounting kit for DN 63 ISO-K to ISO-F, with collar flange, coated centering ring with splinter shield, stud screws	PM 016 936 -T
Mounting kit for DN 63 ISO-K to ISO-F, with collar flange, coated centering ring with protection screen, stud screws	PM 016 937 -T
<b>Protection DN ISO-K/-F, sealings, splinter shields, protection screens</b>	
Centering ring with multifunction coating and integrated splinter shield, DN 63 ISO-K/-F	PM 016 207 AU
Centering ring with multifunction coating and integrated protection screen, DN 63 ISO-K/-F	PM 016 208 AU
<b>Valves Fore-vacuum safety valves</b>	
TVV 001, fore-vacuum safety valve, 230 V AC	PM Z01 205
TVV 001, fore-vacuum safety valve, 115 V AC	PM Z01 206
<b>Venting Power failure venting units (normally open)</b>	
Shielded power failure venting unit, 24 V DC, G 1/8", for connection to TC 110/120	PM Z01 330

<b>Accessories</b>	
<b>Venting Venting accessories</b>	
Flange with Pipe Thread, DN 16 ISO-KF, G 1/8"	<b>PM 016 780 -T</b>
Push-in fitting for 6 mm tube, G 1/8"	<b>PM 016 781 -T</b>
Push-in fitting for 8 mm tube, G 1/8"	<b>PM 016 782 -T</b>
Hose nozzle for 9 mm hose, G 1/8"	<b>PM 016 783 -T</b>
Banjo fitting	<b>PM 016 787 -T</b>
Banjo fitting, small	<b>PM 143 877 -T</b>
TTV 001, Drier for Venting Turbopumps	<b>PM Z00 121</b>
<b>Venting Venting valves (normally closed)</b>	
Venting valve, shielded, 24 V DC, G 1/8", for connection to TC 110/120	<b>PM Z01 290</b>
Venting valve, 24 V DC, G 1/8" without cable	<b>PM Z01 293</b>
<b>Vibration Reduction Vibration dampers</b>	
Vibration damper for HiPace 60/80, DN 63 ISO-K	<b>PM 006 800 -X</b>

## **VACUUM SOLUTIONS FROM A SINGLE SOURCE**

Pfeiffer Vacuum stands for innovative and custom vacuum solutions worldwide, technological perfection, competent advice and reliable service.

## **COMPLETE RANGE OF PRODUCTS**

From a single component to complex systems:

We are the only supplier of vacuum technology that provides a complete product portfolio.

## **COMPETENCE IN THEORY AND PRACTICE**

Benefit from our know-how and our portfolio of training opportunities!

We support you with your plant layout and provide first-class on-site service worldwide.

Are you looking for a  
perfect vacuum solution?  
Please contact us:

**Pfeiffer Vacuum GmbH**  
Headquarters · Germany  
T +49 6441 802-0  
info@pfeiffer-vacuum.de

[www.pfeiffer-vacuum.com](http://www.pfeiffer-vacuum.com)

All data subject to change without prior notice.

**PFEIFFER**  **VACUUM**