

VSP Series Dry Screw Pump



High Reliability Screw Pump

More efficient and reliable coaxial design of motor & pump body
Air-cooled design of sealed motor
Anti-corrosion treatment ensures durable and reliable performance

Parts/Accessories

- 304 Dust Filter
- Polyester Dust Filter
- Silencer



Welcome to VALUE

Global leader of refrigeration tools and vacuum solutions

ABOUT US

VALUE is the global leader of vacuum solutions. After 20 years of historical accumulation, the three core competencies which are continuous technological innovation capabilities, social resource integration capabilities and brand channels all over the world, have made the company keep its leadership in the global refrigeration industry.

VALUE has accumulated the industry's veteran expert teams with experienced, we are always working on innovative work unswervingly to develop the best products, which can provide personalized design and service in the shortest time to meet customer needs. We have built a global Innovation and Technology Research Institute, a huge proportion of R & D funds is invested every year, innovative development of the industry's leading products; the quality of our products reaches the world first-class level, through the CE, UL, CSA and other security certifications and ISO9001:2015 quality management system certification, and we also have built product failure analysis laboratory, thermostat and constant humidity production workshop and product prototype test center. We have introduced a lot of high precision manufacturing technology and equipment, Japanese SEIKI horizontal machining center and OKUMA vertical machining center, Germany WENZEL three coordinate measuring instrument and other modern machining and testing equipment, the full implementation of the ERP data management and lean production management system.

Through years of development, we have our owned global brand and channels. It has built "VALUE" independent brand sales channels in more than 100 countries, and has provided services for more than 10 of world top 500 enterprises.

"speed, innovation, high quality", create value for customers.

Core competitiveness
Speed • Innovation • High quality



Wenling production base

Global institute of innovation technology of VALUE in Hangzhou

HIGH RELIABILITY

It's not just about the promise, It's about the system engineering



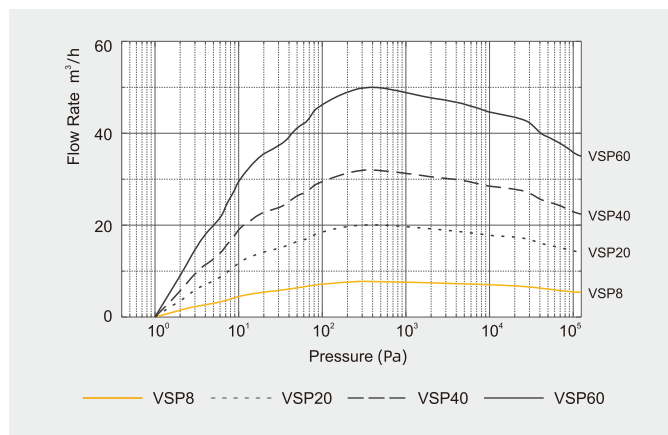
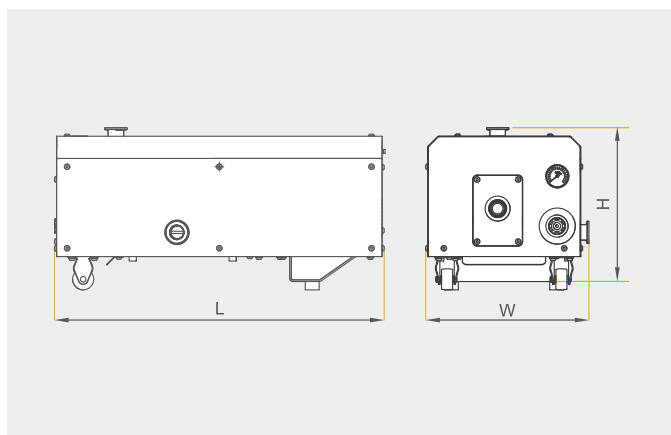
High Quality Manufacturing

VALUE is fully equipped with modernized processing and testing instruments, such as Japanese DMG Mori Seiki horizontal machining center, Japanese OKUMA- BYJC vertical machining center, German WENZEL three coordinates measuring equipment, etc. We carry out ERP data management and lean production management system.

Precision Measure Industry Benchmark

Our products are qualified with world's most advanced quality level. We have European CE, American UL, Canada CSA safety certificates and German TUV ISO9001 certificate. And we also own product failure analysis lab, the constant temperature and humid workshop, new product trial center.

VSP Series Dry Screw Pump



Technical Parameters

Model			VSP8	VSP20	VSP40	VSP60
Peak pumping speed		m³/h	8	20	32	55
		L/min	130	330	530	830
		CFM	1.7	11.7	18.8	29.4
Ultimate vacuum		Pa	1	1	1	3
		Torr	7.5×10^{-3}	7.5×10^{-3}	7.5×10^{-3}	2.3×10^{-3}
		mbar	1×10^{-2}	1×10^{-2}	1×10^{-2}	3×10^{-2}
Gas purge	Dry nitrogen/Dry compressed air	slm	/	0~100	0~100	0~100
	Pressure	Mpa	/	0.04~0.07	0.04~0.07	0.04~0.07
	Purge gas Inlet connection		/	One-touch fitting $\Phi 6\text{mm}$		
	Purge gas supply quality		ISO8673 CLASS 2			
Voltage input	V	200-240 1-phase	200-240 1-phase	200-240 1-phase	345-415V 3-phase	
Voltage Frequency	Hz	50/60				
Motor rating	kW	1.8	1.8	1.8	2.2	
Ultimate power consumption	kW	1.1	1.1	1.1	1.1	
Maxmium power consumption	kW	3	3	3	3	
Current at ultimate pressure	A	6	7	8	1.5	
Heavy duty peak current	A	13	13	13	6	
Control		PID functions				
		Analogue speed control				
		Parallel control and monitoring: Digital and modbus-rtu control				
		Serial communication: MODBUS-RTU				
Inlet/exhaust DN		KF25/KF16	KF25	KF25	KF40/KF25	
Max water vapor pumping rate	g/h	135	200	200	250	
Cooling mode		Forced-air				
Operating temperature range (storage)	°C	5~40 (-5~50)				
Lubrication volume (Oil type)	ml	80 (PEFP)				
Noise level	dB(A)	≤58	≤60	≤60	≤63	
Mass	kg	≤38	≤48	≤48	≤75	
Dimensions(L*W*H)	mm	520x300x320	600x300x320	600x300x320	663x350x400	



TECNOLOGÍA DE VACÍO S.L.
Avenida Valdelaparra, 27- Edificio I, bajo 3
28108 Alcobendas (Madrid)
Tel:+ 34 918 041 134
tecnovac@tecnovac.es
<https://tecnovac.es/>